

LAST DESIGNATOR USED	
C317, CR29, FL3, J7, J4, J1, L73, DVEL, P3, Q33, R262, TS, TP13, U40, Y2	
UNUSED DESIGNATORS	
R231, U4, U9, U20, U32	

--- REVISION HISTORY ---			
FILE: 245-p5.sch	FSL	02.16.00	
FILE: 245-p6.sch	FSL	03.07.00	
FILE: 245-p7.sch	FSL	03.17.00	
FILE: 245-p8.sch	FSL	03.22.00	
FILE: 245-p9.sch	FSL	04.06.00	
FILE: 245-p10.sch	FSL	04.19.00	
FILE: 245-p11.sch	FSL	04.21.00	
FILE: 245-p12.sch	FSL	05.03.00	
FILE: 245-p13.sch	FSL	05.24.00	
FILE: 245019N.sch	ME	06.22.00	
FILE: ASY-0245-01SCH	SRG	10.30.00	
FILE: ASY-0245-01SCH	SRG	11.27.00	
FILE: ASY-0245-01SCH	SRG	04.13.01	

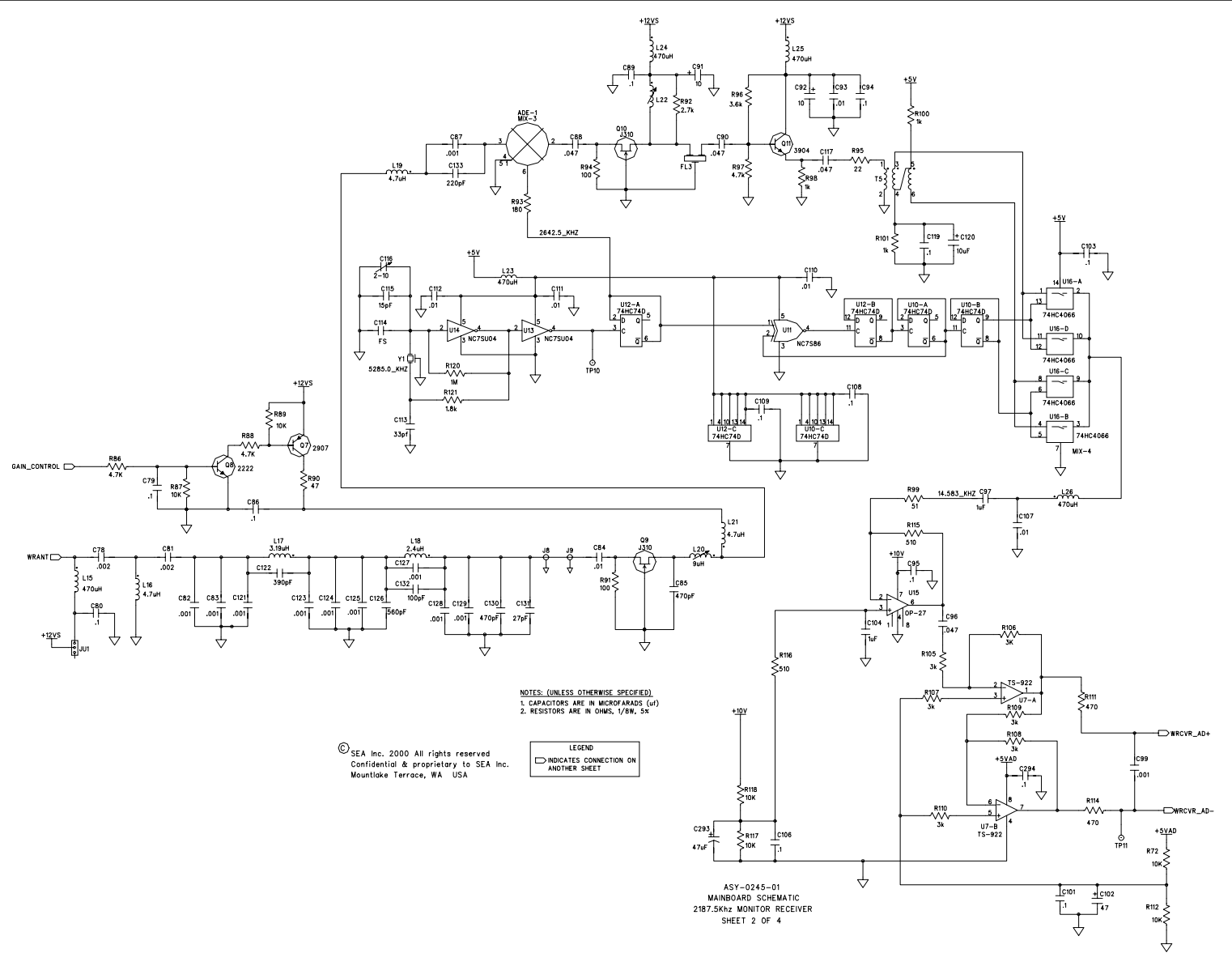
c:/Pads-Schematics/Marine/0245/ASY-0245-01SCH

© SEA Inc. 2000 All rights reserved  
Confidential & proprietary to SEA Inc.  
Mountlake Terrace, WA USA

NOTES: (UNLESS OTHERWISE SPECIFIED)  
1. CAPACITORS ARE IN MICROFARADS (uF)  
2. RESISTORS ARE IN OHMS, /K=K, /M=M, /S=S

LEGEND  
◻ INDICATES CONNECTION TO ANOTHER SHEET

ASY-0245-01  
MAINBOARD SCHEMATIC  
MAIN RECEIVER / TRANSMITTER  
SHEET 1 OF 4

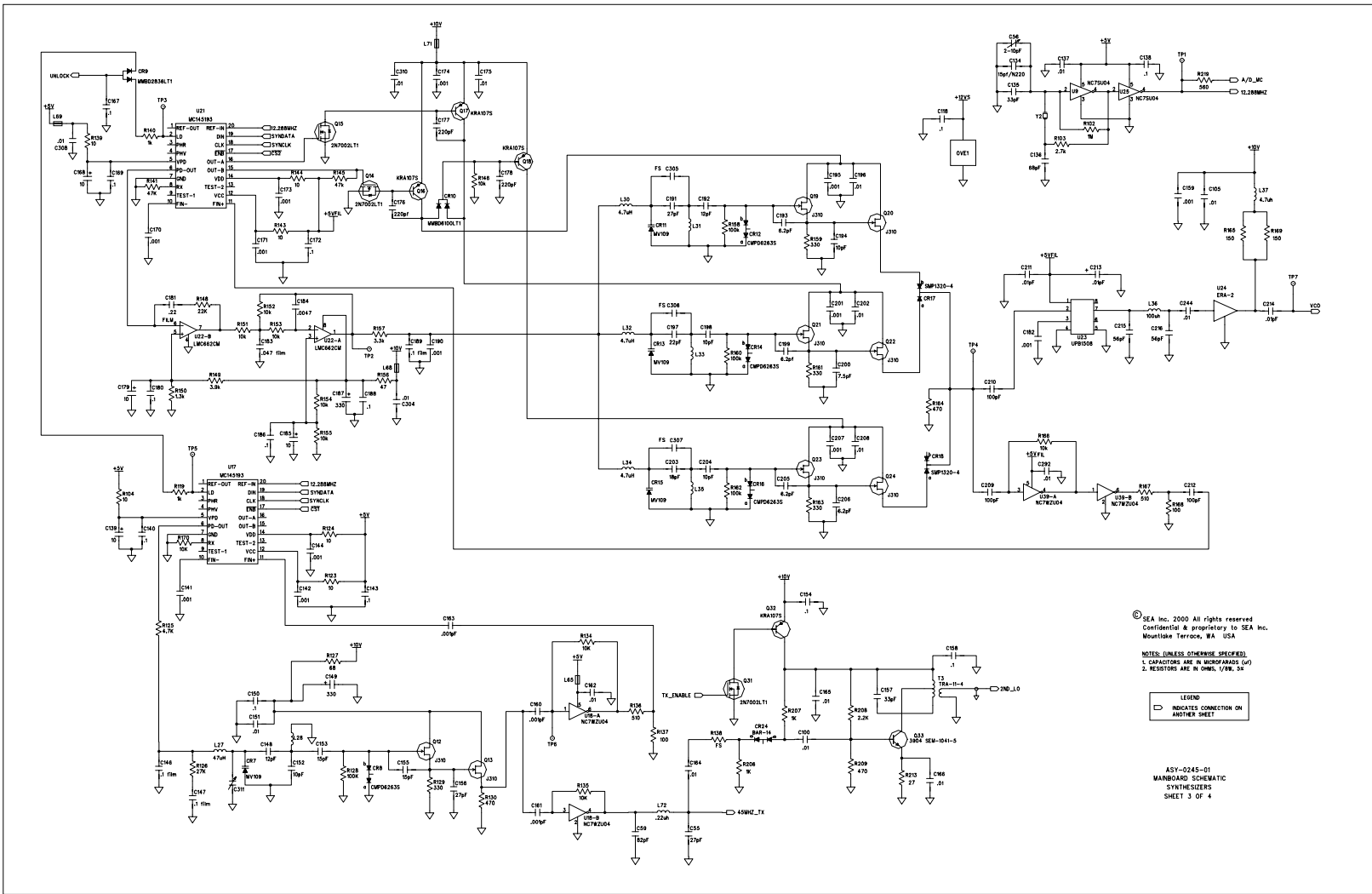


NOTES: (UNLESS OTHERWISE SPECIFIED)  
 1. CAPACITORS ARE IN MICROFARADS (uF)  
 2. RESISTORS ARE IN OHMS, 1/8W, 5%

© SEA Inc. 2000 All rights reserved  
 Confidential & proprietary to SEA Inc.  
 Mountlake Terrace, WA USA

LEGEND  
 ◻ INDICATES CONNECTION ON ANOTHER SHEET

ASY-0245-01  
 MAINBOARD SCHEMATIC  
 2187.5KHz MONITOR RECEIVER  
 SHEET 2 OF 4

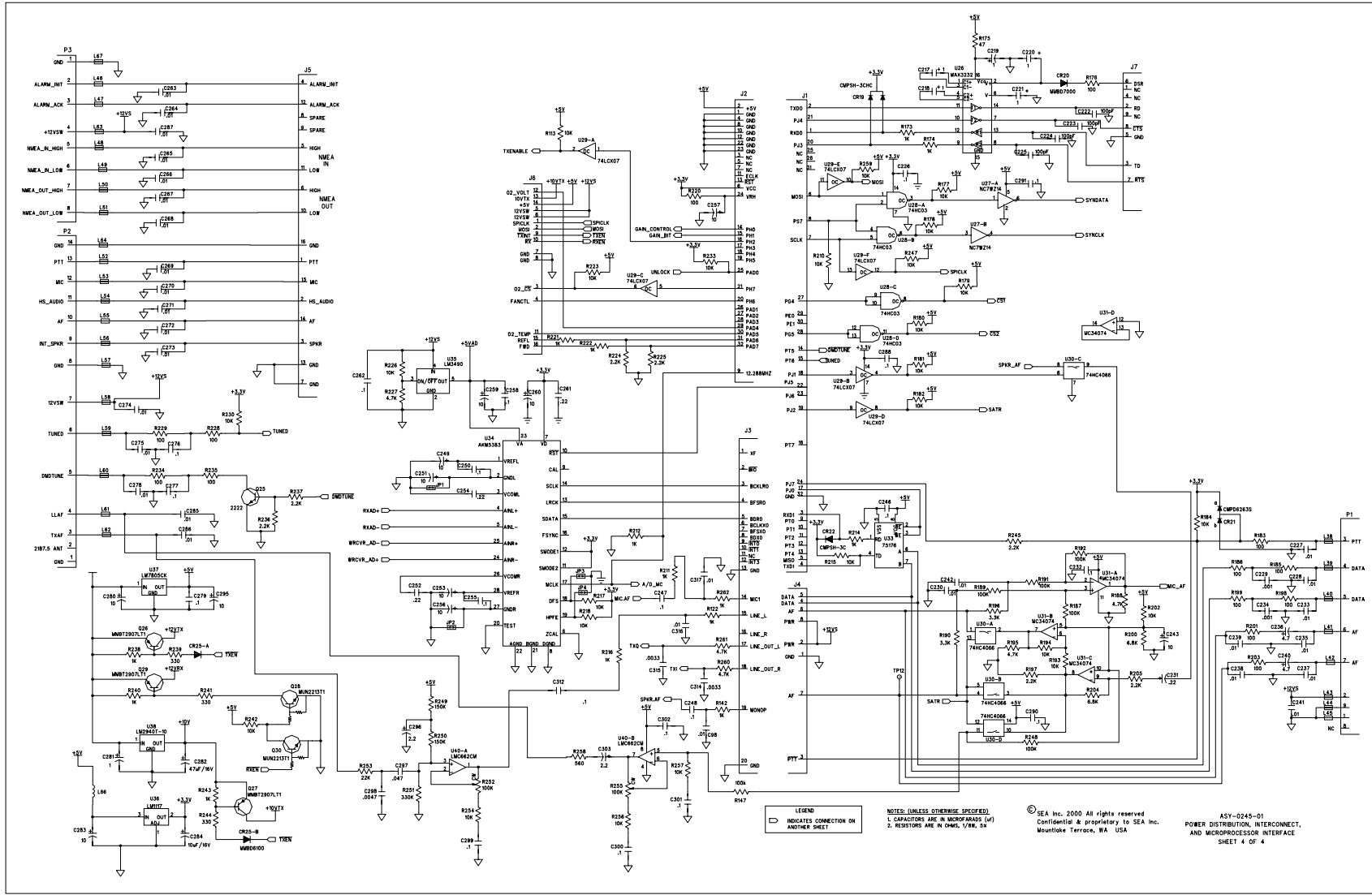


© SEA Inc. 2000 All rights reserved  
 Confidential & proprietary to SEA Inc.  
 Mountlake Terrace, WA USA

NOTES (UNLESS OTHERWISE SPECIFIED)  
 1. CAPACITORS ARE IN MICROFARADS (uF)  
 2. RESISTORS ARE IN OHMS, 1/100, 5k

LEGEND  
 □ INDICATES CONNECTION ON ANOTHER SHEET

ASY-0245-01  
 MAINBOARD SCHEMATIC  
 SYNTHESIZERS  
 SHEET 3 OF 4



LEGEND  
 □ INDICATES CONNECTION ON ANOTHER SHEET

NOTES (UNLESS OTHERWISE SPECIFIED)  
 1. CAPACITORS ARE IN MICROFARADS (uF)  
 2. RESISTORS ARE IN OHMS, 1/8W, 5%

SEA Inc. 2000 All rights reserved  
 Confidential & proprietary to SEA Inc.  
 Mountlake Terrace, WA USA

POWER DISTRIBUTION, INTERCONNECT,  
 AND MICROPROCESSOR INTERFACE  
 SHEET 4 OF 4