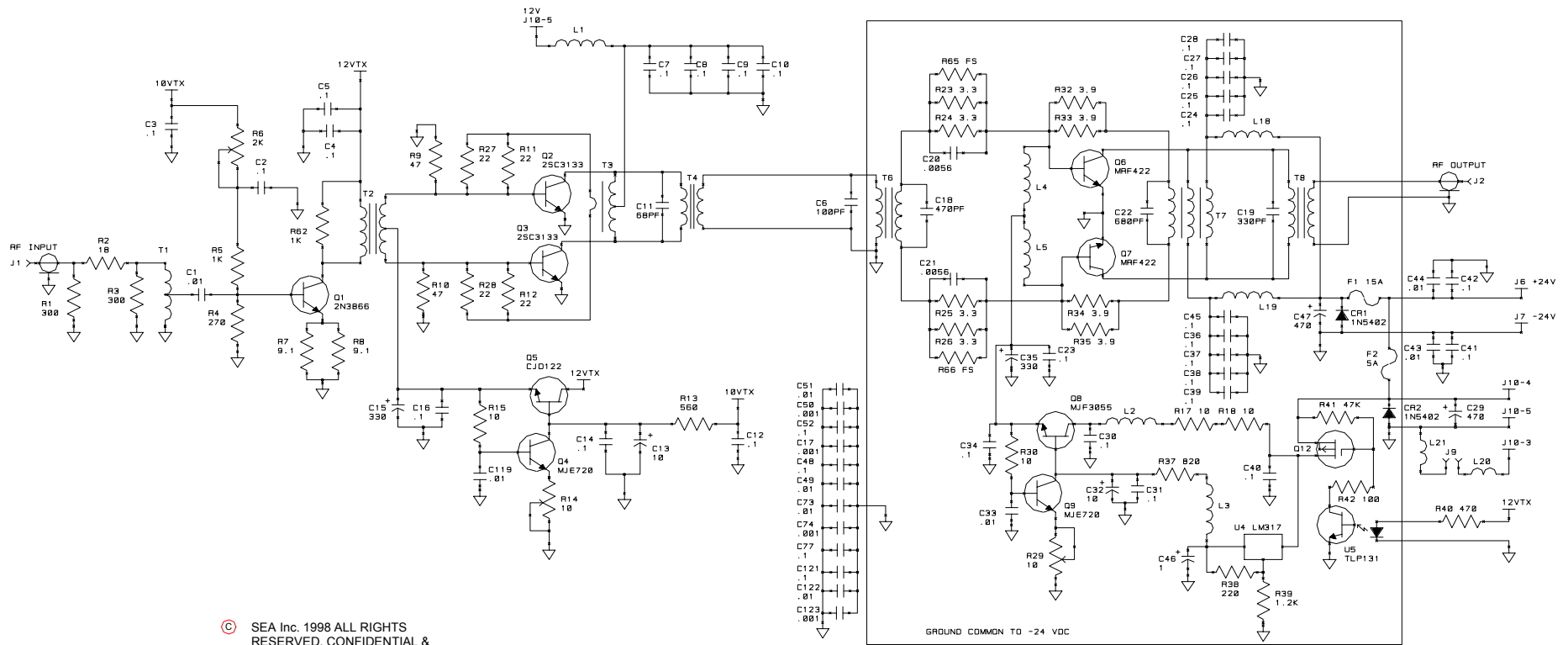


REVISION HISTORY
 REDRAWN INTO AutoCad 12/5/00

© SEA Inc. 1998 ALL RIGHTS RESERVED, CONFIDENTIAL & PROPRIETARY TO SEA Inc. MOUNTLAKE TERRACE, WA, USA

LEGEND
 ◆ INDICATES CONNECTION TO POINT ON SHEET 1
 → INDICATES SIGNAL FLOW
 ○ INDICATES CONNECTION TO POINT ON THIS SHEET

NOTES: UNLESS OTHERWISE SPECIFIED
 1. RESISTORS ARE IN OHMS, 1/4 W, 5%
 2. CAPACITORS ARE IN MICROFARADS.
 3. DIODES ARE MMBD7000.



© SEA Inc. 1998 ALL RIGHTS RESERVED. CONFIDENTIAL & PROPRIETARY TO SEA Inc. MOUNTLAKE TERRACE, WA. USA

NOTES: UNLESS OTHERWISE SPECIFIED
 1. RESISTORS ARE IN OHMS, 1/4 W. 5%
 2. CAPACITORS ARE IN MICROFARADS.
 3. DIODES ARE MMB07000.

ASY-0245-02
 SHEET 2 of 2